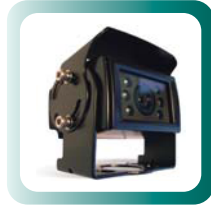


SDC-31C Rear View Camera

FEATURES

1/3" Sony Super HAD Color CCD
 100% Complete Waterproof Design
 Vibration resistant
 Normal / Mirror Image view
 Wide view angle / 130°
 IR LEDs for day & night view
 Audio Available
 Sun Shield Available



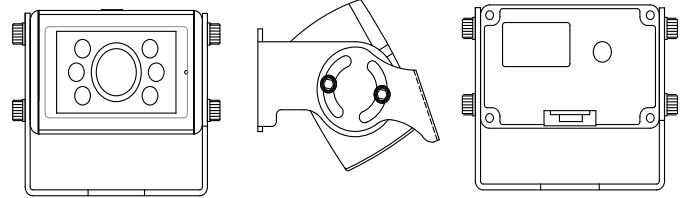
FC E4 10R-02 0271

Technical Specifications

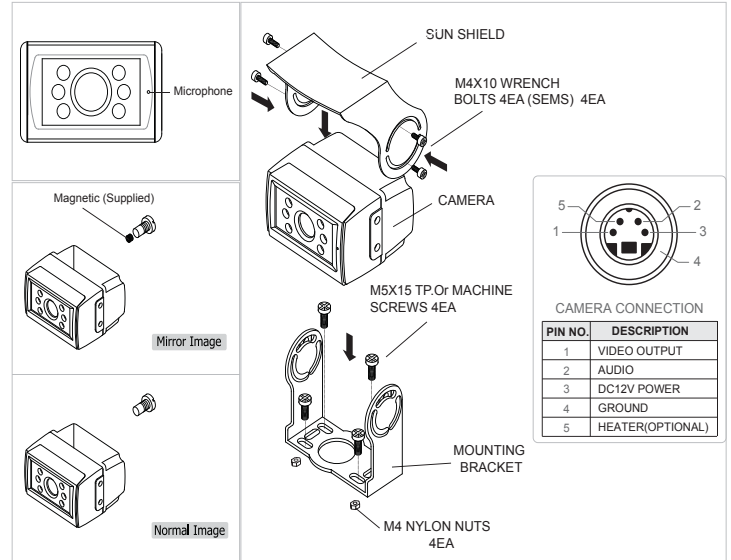
IMAGE SENSOR	1/3" Sony Super HAD Color CCD
EFFECTIVE PIXELS	NTSC : 270,000 Pixels
RESOLUTION	420 TV Lines
SYNCHRONIZING SYSTEM	Internal
VIDEO OUTPUT	75 Ohms ,1.0Vp-p Composite.
AUDIO INPUT	High Sensitive C-Microphone
S/N RATIO	More than 48dB
REQUIRED ILLUMINATION	0 Lux at F2.0 / f =2.45mm (LED ON)
POWER SOURCE	DC 12V / Max. 150mA (LED ON)
OPERATING VOLTAGE RANGE	DC 12V (Powered by monitor)
FIELD OF VIEW / OPTION	130°
OPERATING TEMPERATURE	-30°C ~ +60°C -50°C ~ +60°C (With Heater)
DIMENSION	69(W) X 42(H) X57(D) mm 2.7(W) X 1.65(H) X 2.2(D) inch
WEIGHT	650g
ACCESSORIES	Sun Shield Mounting Bracket and Screw Kits
BEST NIGHT VIEW FEATURE	20 degrees visible IR LED X 6ea

Installation

- Waterproof Aluminium Diecasted Low Illumination Color CCD Camera.
- Mirror & Normal Image Views



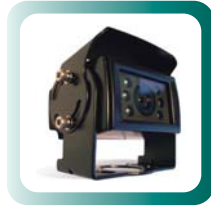
Attach the supplied mounting bracket to vehicle.
 Adjust the angle of the camera and fasten the screws firmly.



SDC-31C Rear View Camera

FEATURES

1/3" Sony Super HAD Color CCD
 100% Complete Waterproof Design
 Vibration resistant
 Normal / Mirror Image view
 Wide view angle / 130°
 IR LEDs for day & night view
 Audio Available
 Sun Shield Available



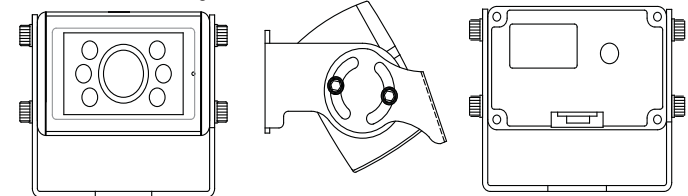
FC E4 10R-02 0271

Technical Specifications

IMAGE SENSOR	1/3" Sony Super HAD Color CCD
EFFECTIVE PIXELS	NTSC : 270,000 Pixels
RESOLUTION	420 TV Lines
SYNCHRONIZING SYSTEM	Internal
VIDEO OUTPUT	75 Ohms ,1.0Vp-p Composite.
AUDIO INPUT	High Sensitive C-Microphone
S/N RATIO	More than 48dB
REQUIRED ILLUMINATION	0 Lux at F2.0 / f =2.45mm (LED ON)
POWER SOURCE	DC 12V / Max. 150mA (LED ON)
OPERATING VOLTAGE RANGE	DC 12V (Powered by monitor)
FIELD OF VIEW / OPTION	130° (or 150°/option)
OPERATING TEMPERATURE	-30°C ~ +60°C -50°C ~ +60°C (With Heater)
DIMENSION	69(W) X 42(H) X57(D) mm 2.7(W) X 1.65(H) X 2.2(D) inch
WEIGHT	650g
ACCESSORIES	Sun Shield Mounting Bracket and Screw Kits
BEST NIGHT VIEW FEATURE	20 degrees visible IR LED X 6ea

Installation

- Waterproof Aluminium Diecasted Low Illumination Color CCD Camera.
- Mirror & Normal Image Views



Attach the supplied mounting bracket to vehicle.
 Adjust the angle of the camera and fasten the screws firmly.

